

# TC3M1 SERIES TRANSFORMERS

**TC3M1 series transformers (three-phase, dry-type, with natural air cooling, of protected version) rating 1.6...4.0 kV·A, are intended to supply reduced voltage for various demands at industrial plants or at construction sites.**

Transformers are designed for operation in a stationary position, mounted on a horizontal plane, indoors or under fore-roofs (snow-dust to be excluded), under cold or moderate climatic conditions. Transformers are resistant to mechanical impacts of 5g maximum acceleration within 0.5-35 Hz frequency range.

Transformer design allows any desirable winding connection (Y/Y, D/Y, Y/D, Y-D/Yn etc). Primary winding voltage – 220, 380 V or 380-220 V. Secondary winding voltage – 12 to 220 V:

1.6 – 12, 19, 22, 24, 36, 42, 85, 170, 220 V;

2.5 – 19, 22, 24, 36, 42, 85, 170, 220 V;

4.0 – 36, 42, 85, 170, 220 V.

Transformers employ a laminated magnetic core with coils of copper wire. Transformer assemblies are impregnated with insulating varnish in a vacuum impregnator.

Transformers are covered by protective housings with openings provided for cables lead-in.

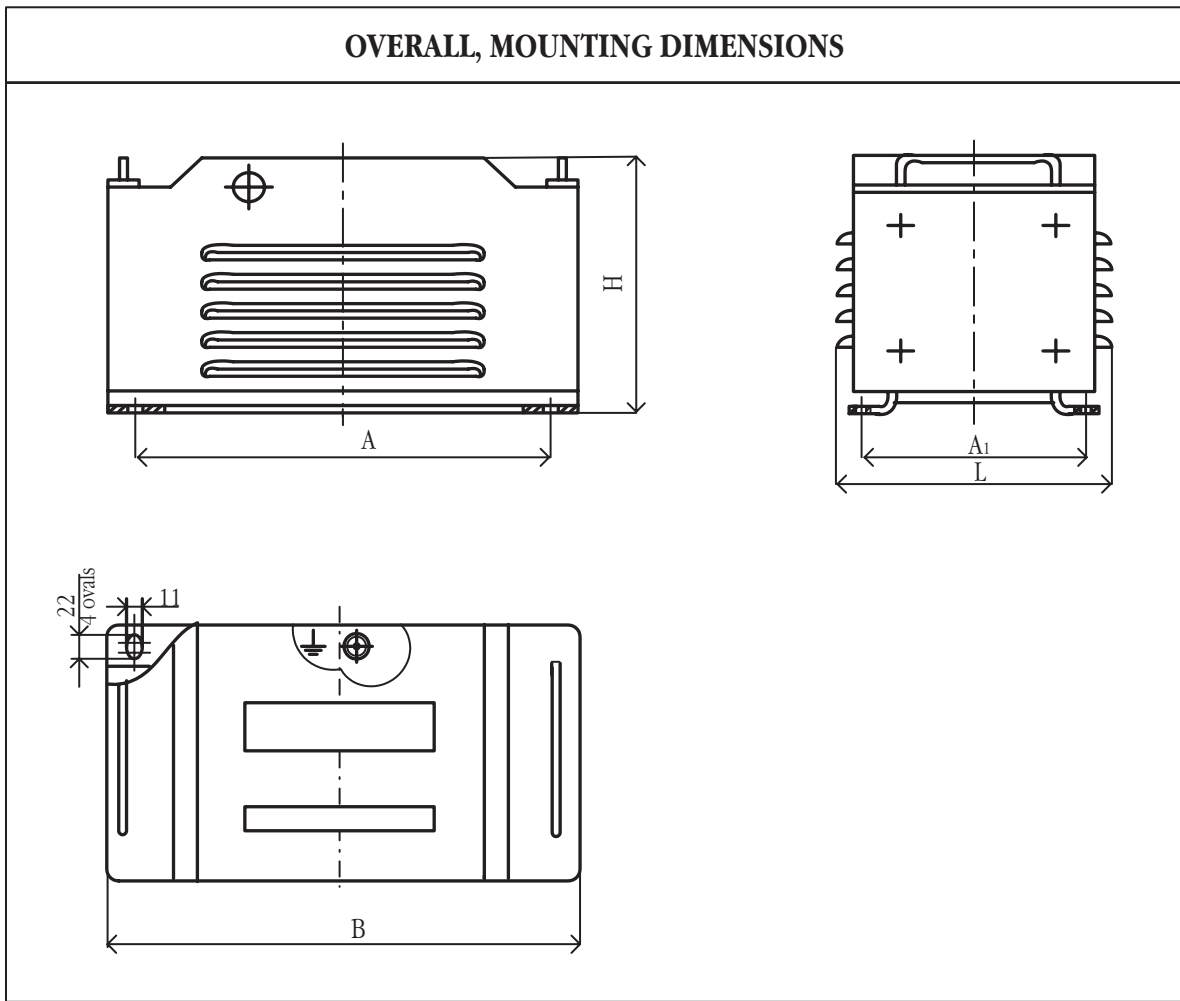
Average life (under nominal load operation) makes no less than 12 years, at up to 4000 hours running time per annum; when used at construction sites – no less than 6 years.



Transformer type	No-load current, A		Short-circuit voltage, V		Efficiency	
	Rated	Tolerance limits	Rated	Tolerance limits	Rated	Tolerance limits
	%					
TC3M1-1.6 YXJ2	24	+30	3.0	+20	94.5	-2
TC3M1-2.5 YXJ2	20		2.5		94.0	
TC3M1-4.0 YXJ2	16		2.3		95.5	

*Note: Tolerance limits are given per cent as to nominal value*

### OVERALL, MOUNTING DIMENSIONS



Transformer type	B	L	H	A	A <sub>1</sub>	Mass
	mm					kg
TC3M1-1.6	290	177	305	160	112	25
TC3M1-2.5		205			140	33
TC3M1-4.0	365	200	335	220	143	48