

OCTI SERIES TRANSFORMERS

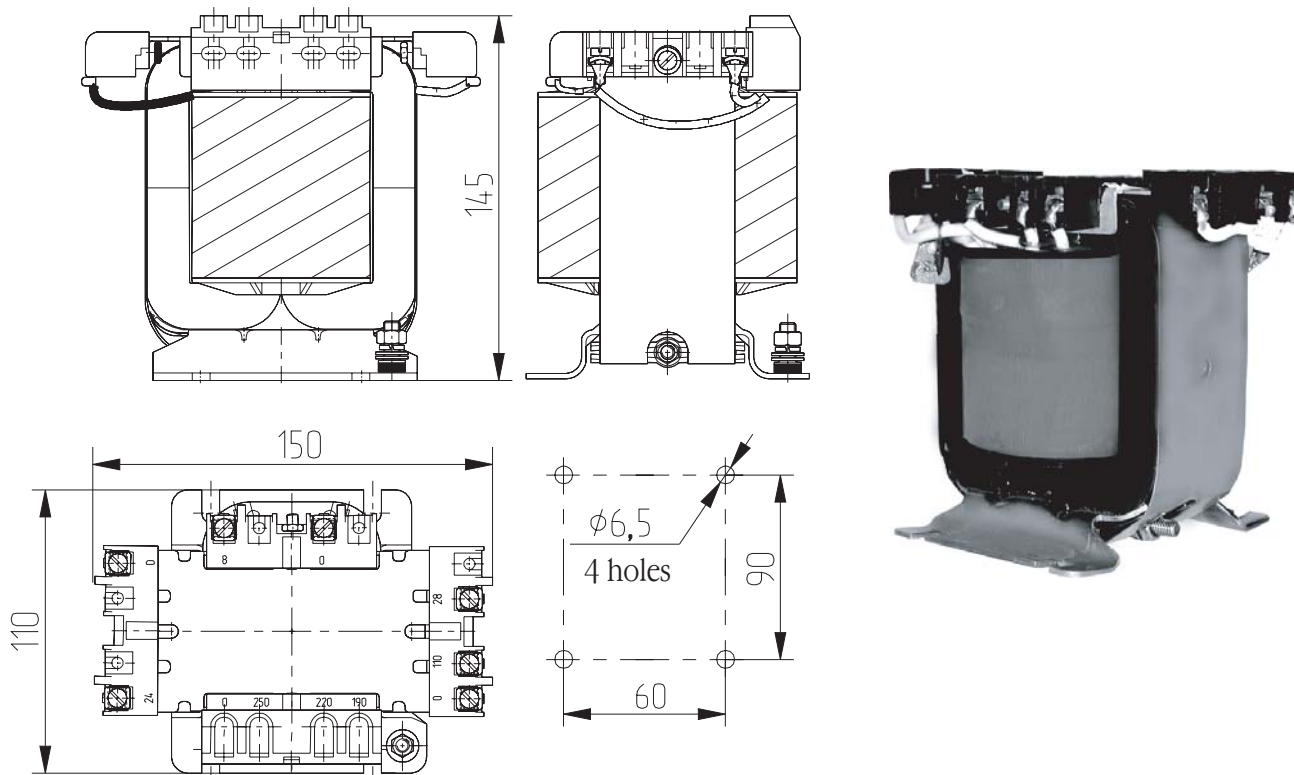
OCTI-0.25 series transformers (single-phase, dry-type, of 220/110/24/8 voltage, 0.25 kV·A power rating) are intended for use in control units of elevators.

Transformers employ a strip-wound split-type magnetic core of cold-rolled electrical steel. Transformer coil is bobbin-type, made of copper wire with heat-resistant insulation.

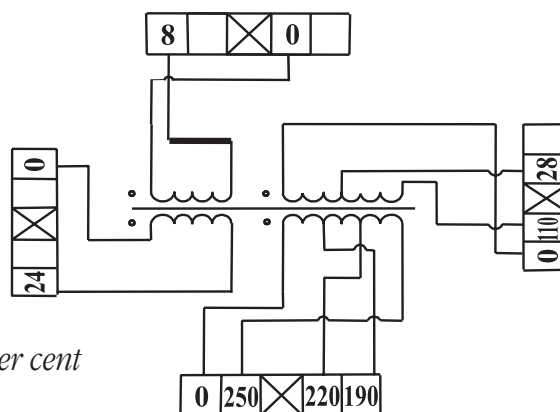
Assembled transformers are impregnated with wet-strong insulating varnish in a vacuum impregnator. Transformer terminal clamps are arranged on insulating plastic blocks. Terminal clamps of primary winding are capped by a cover.

Winding connection/vector group - 1/1/1/1-0-0-0.

Mass - no more than 4.2 kg.



WINDING CONNECTION DIAGRAM



Note: Tolerance limits are given per cent as to nominal value