

OCMP, OCMO, OCMY SERIES TRANSFORMERS

Transformers of OCMP series (O – single-phase, C – dry-type, M – multifunctional, P – isolating) rating 0.063...10 kVA, OCMO series (single-phase, dry-type, multifunctional, O – separating, of general use) rating 0.063...1.0 kVA, OCMY series (single-phase, dry-type, multifunctional, Y – for power supply to control circuits) rating 0.4...1.0 kVA, with rated voltage not more than 1000 V a. c. of industrial frequency, are intended for power supply to control circuits, local lighting circuits, signaling and automation circuits.



Transformers comply with the requirements of STB IEC 61558-1 standard.

OCMO transformers meet IEC 61558-2-1 standard.

OCMY transformers meet IEC 61558-2-2 and STB IEC 61558-2-6 standards.

OCMP transformers meet IEC 61558-2-4 and STB IEC 61558-2-6 standards.

Climatic versions are CT, C and MWDr as to IEC 60721-2-1:2002 standard.

Transformers are designed for indoor operation at altitudes above sea level not more than 1000 m (transformers operation is allowed at altitudes up to 3000 m above sea level, but in such a case the load power shall decrease for 2.5 % every 500 m).

According to their mobility the transformers are stationary ones.

As to installation conditions on worksite, the transformers are incorporated ones.

Transformers with the power of up to 0.4 kVA inclusive are to be mounted on a horizontal or vertical plane (for M9 group of mechanical performance); transformers with the power from 0.4 up to 2.5 kVA inclusive are to be mounted on a horizontal plane (for M9 group of mechanical performance); transformers with the power of 0.63 and 1.0 kVA are to be mounted on a vertical plane (for M8 group of mechanical performance); transformers with the power 4.0; 6.3 and 10 kVA are to be mounted on a horizontal plane (for M1 group of mechanical performance).

Insulation thermal-endurance class – B as to GOST 8865-93.

All the transformer parts made from dielectric materials are resistant against inflammation and flame propagation.

The same type transformers of various climatic versions have completely identical electrical parameters and differ by protective coatings only.

The corrected sound power level of the transformers both under no-load run and under rated load does not exceed 49 dBA for the transformers with the power of up to 2.5 kVA, and 60 dBA for 4.0; 6.3 and 10 kVA transformers.

As to protection against electric-shock hazard the transformers belong to I class in accordance with GOST 12.2.007.0-75 and have IP00 protection degree in accordance with GOST 14254-96. Contact terminals are of IP20 protection degree.

BASIC SPECIFICATIONS OF THE TRANSFORMERS

Transformer type	Rated power, kVA	Short-circuit voltage, U_k , %			Efficiency factor, %, not less than
		for two-winding transformer	for three-winding transformer		
			for U_{K1-2}	for U_{K1-3}	
OCMO-0.063 OCMP-0.063	0.063				79.0
OCMO-0.1 OCMP-0.1	0.100				82.4
OCMO-0.16 OCMP-0.16	0.160				86.0
OCMO-0.25 OCMP-0.25	0.250				88.1
OCMO-0.4 OCMY-0.4 OCMP-0.4	0.400	–	–	–	89.5
OCMO-0.63 OCMY-0.63 OCMP-0.63	0.630				90.7
OCMO-1.0 OCMY-1.0 OCMP-1.0	1.000				91.8
OCMP-1.6	1.600	3.05	2.90	2.10	92.2
OCMP-2.5	2.500	2.75	5.85	2.05	93.2
OCMP-4.0	4.000	2.70			94.5
OCMP-6.3	6.300	2.10	–	–	94.8
OCMP-10	10.000	1.90			95.3

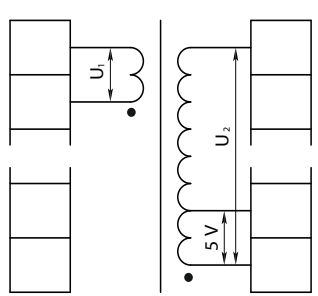
TRANSFORMER CONNECTION DIAGRAMS, WINDING CONNECTION / VECTOR GROUPS AND VOLTAGES

*Three-winding OCMP series transformer with tappings on secondary winding**

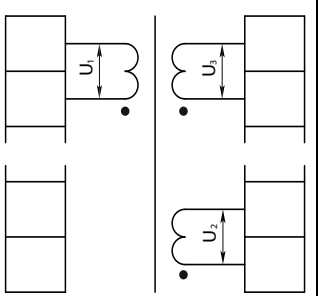
Transformer connection diagram	Transformer type	Rated power of secondary winding, kVA		Windings rated voltage, V			Winding connection / vector group
		U_2	U_3	of primary U_1	of secondary		
					U_2	U_3	
	OCMP-0.1	0.075	0.025	220; 380; 400; 415; 440; 660	110; 220; 230	12; 24; 36; 42; 110	1/1/1-0-0
	OCMP-0.16	0.100	0.060				
	OCMP-0.25	0.190					
	OCMP-0.4	0.340	0.120				
	OCMP-0.63	0.510					
	OCMP-1.0	0.880	0.250				
	OCMP-1.6	1.350					
	OCMP-2.5	2.250					

* The power of the transformer secondary winding tappings decreases against the power of the whole winding proportionally to the voltage decreasing.

*Two-winding OCMP series transformer with tapplings on secondary winding**

Transformer connection diagram	Transformer type	Rated power of secondary winding, kVA	Windings rated voltage, V		Winding connection / vector group
			of primary, U ₁	of secondary, U ₂	
	OCMP-0.063	0.063	220; 230; 380; 400; 415; 440; 660	10; 12; 14; 24; 29; 36; 42; 56; 110; 130; 220; 230; 260	1/1-0
	OCMP-0.1	0.100		12;14; 24; 29;	
	OCMP-0.16	0.160		36; 42; 56;	
	OCMP-0.25	0.250		110; 130; 220;	
	OCMP-0.4	0.400		230; 260	
	OCMP-0.63	0.630		24; 36; 42;	
	OCMP-1.0	1.000		110; 220	
<p>* The power of the transformer secondary winding tapplings decreases against the power of the whole winding proportionally to the voltage decreasing.</p>					

OCMP, OCMO series three-winding transformer

Transformer connection diagram	Transformer type	Rated power of secondary winding, kVA		Windings rated voltage, V			Winding connection / vector group			
		U ₂	U ₃	of primary, U ₁	of secondary*, U ₂ , U ₃					
					for OCMP	for OCMO				
	OCMO-0.063 OCMP-0.063	0.0315	0.0315	110; 220; 380	14; 24;	56; 82	1/1/1-0-0			
	OCMO-0.1 OCMP-0.1				0.050			0.050	29; 56;	
	OCMO-0.16 OCMP-0.16	0.080	0.080	110; 220; 230; 380; 660	82					
	OCMO-0.25 OCMP-0.25				0.125			0.125	12;	
	OCMO-0.4 OCMP-0.4	0.200	0,200	220; 380	14; 24; 29;					
	OCMO-0.63 OCMP-0.63	0.315	0.315		56; 82					
	OCMO-1.0 OCMP-1.0	0.500	0.500		12					
	OCMP-2.5	1.250	1.250		—					
	<p>* Two similar windings.</p>									

OCMY series three-winding transformer

Transformer connection diagram	Transformer type	Rated power of secondary winding, kVA		Windings rated voltage, V			Winding connection / vector group	
		U ₂	U ₃	of primary, U ₁	of secondary			
					control, U ₂	U ₃		
	OCMY-0.4	0.340	0.060	220; 380;	110;	12;	1/1/1-0-0	
	OCMY-0.63	0.510	0.120	400; 415;		220;		24;
	OCMY-1.0	0.880	0.120	440; 660		230		36; 42; 110

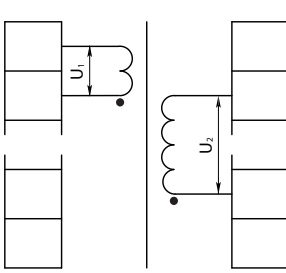
OCMP series four-winding transformer

Transformer connection diagram	Transformer type	Rated power of secondary winding, kVA			Windings rated voltage, V				Winding connection / vector group
		U ₂	U ₃	U ₄	of primary, U ₁	of secondary			
						U ₂	U ₃	U ₄	
	OCMP-0.1	0.025	0.050	0.025	220; 380	110	29	12;	1/1/1-0-0-0
	OCMP-0.16	0.075	0.060					24	
	OCMP-0.25	0.100	0.090	0.060	220; 380; 415			12;	
	OCMP-0.4	0.190	0.150					24;	
	OCMP-0.63	0.340	0.230					36; 42	
				220; 380	12;	24; 42			

OCMY series four-winding transformer

Transformer connection diagram	Transformer type	Rated power of secondary winding, kVA			Windings rated voltage, V				Winding connection / vector group
		U ₂	U ₃	U ₄	of primary U ₁	of secondary			
						control U ₂	control U ₃	U ₄	
	OCMY-0.4	0.190	0.150	0.060	220; 380; 415;	110	29	12;	1/1/1-0-0-0
	OCMY-0.63				220; 380;			24; 42	

Two-winding transformer

Transformer connection diagram	Transformer type	Rated power of secondary winding, kVA	Windings rated voltage, V			Winding connection / vector group	
			of primary, U_1	of secondary			
				U_2			control U_2
				for OCMP	for OCMO		for OCMY
	OCMO-0.063 OCMP-0.063	0.063	220; 380; 400; 415; 440; 660	12; 14; 24; 29; 36; 42; 56; 110; 220; 260	56; 110; 130; 220; 260	1/1-0	
	OCMO-0.1 OCMP-0.1	0.100					
	OCMO-0.16 OCMP-0.16	0.160					
	OCMO-0.25 OCMP-0.25	0.250					
	OCMO-0.4 OCMY-0.4 OCMP-0.4	0.400					14; 29;
	OCMO-0.63 OCMY-0.63 OCMP-0.63	0.630					56; 110; 130;
	OCMO-1.0 OCMY-1.0 OCMP-1.0	1.000					220; 260
	OCMP-1.6	1.600					24; 36; 42; 110; 220
	OCMP-2.5	2.500					24; 36; 42; 110; 220
	OCMP-4.0	4.000					36; 42; 110; 115; 220; 230; 380; 400
	OCMP-6.3	6.300					110; 115; 220; 230; 380; 400
	OCMP-10	10.000					110; 115; 220; 230; 380; 400

OVERALL, MOUNTING DIMENSIONS AND MASS OF THE TRANSFORMERS

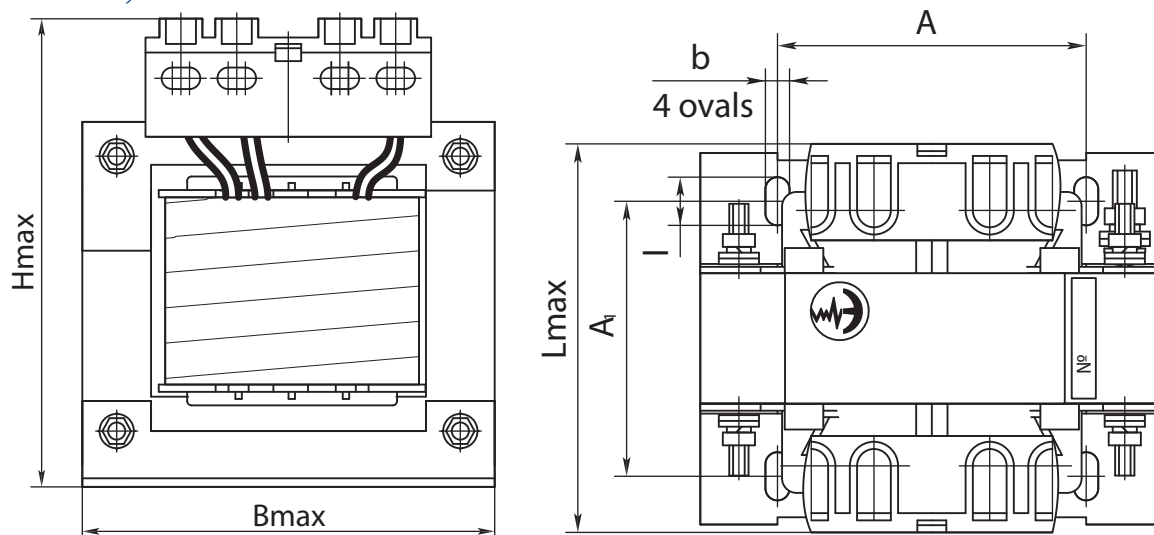


Fig. 1

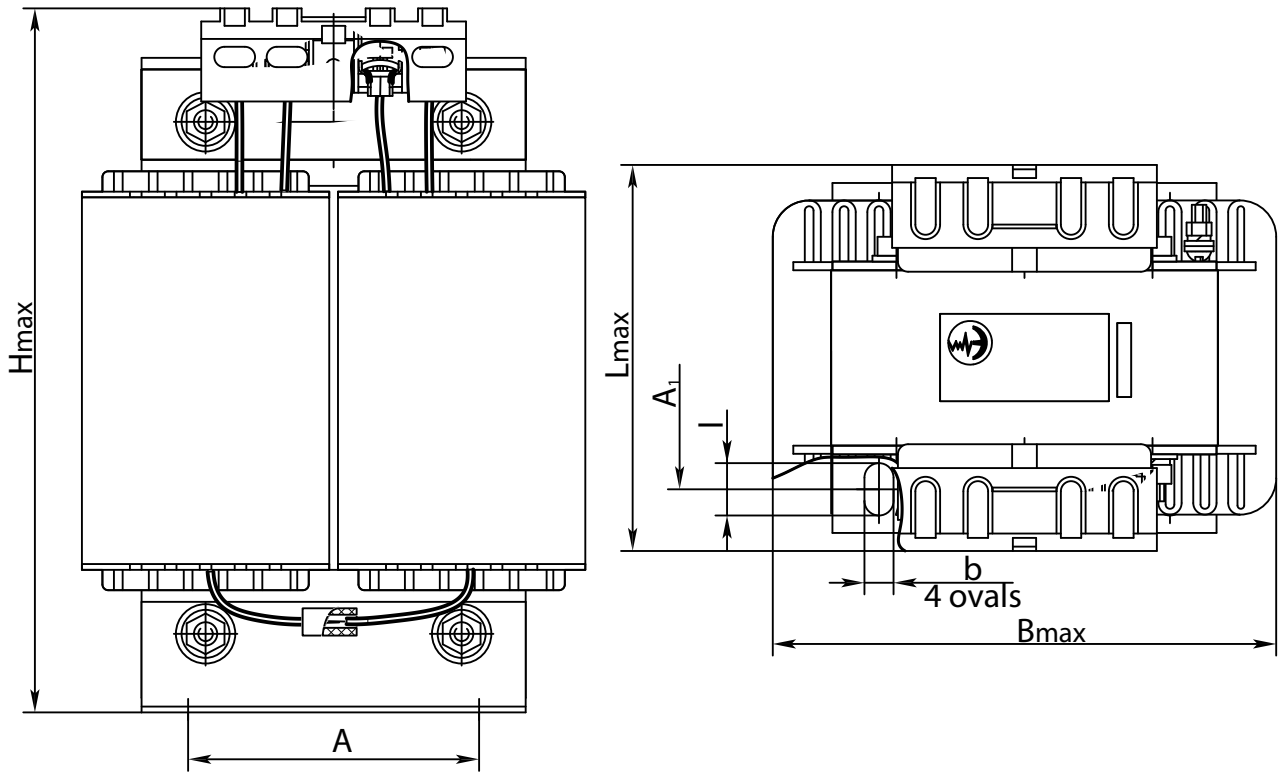


Fig. 2

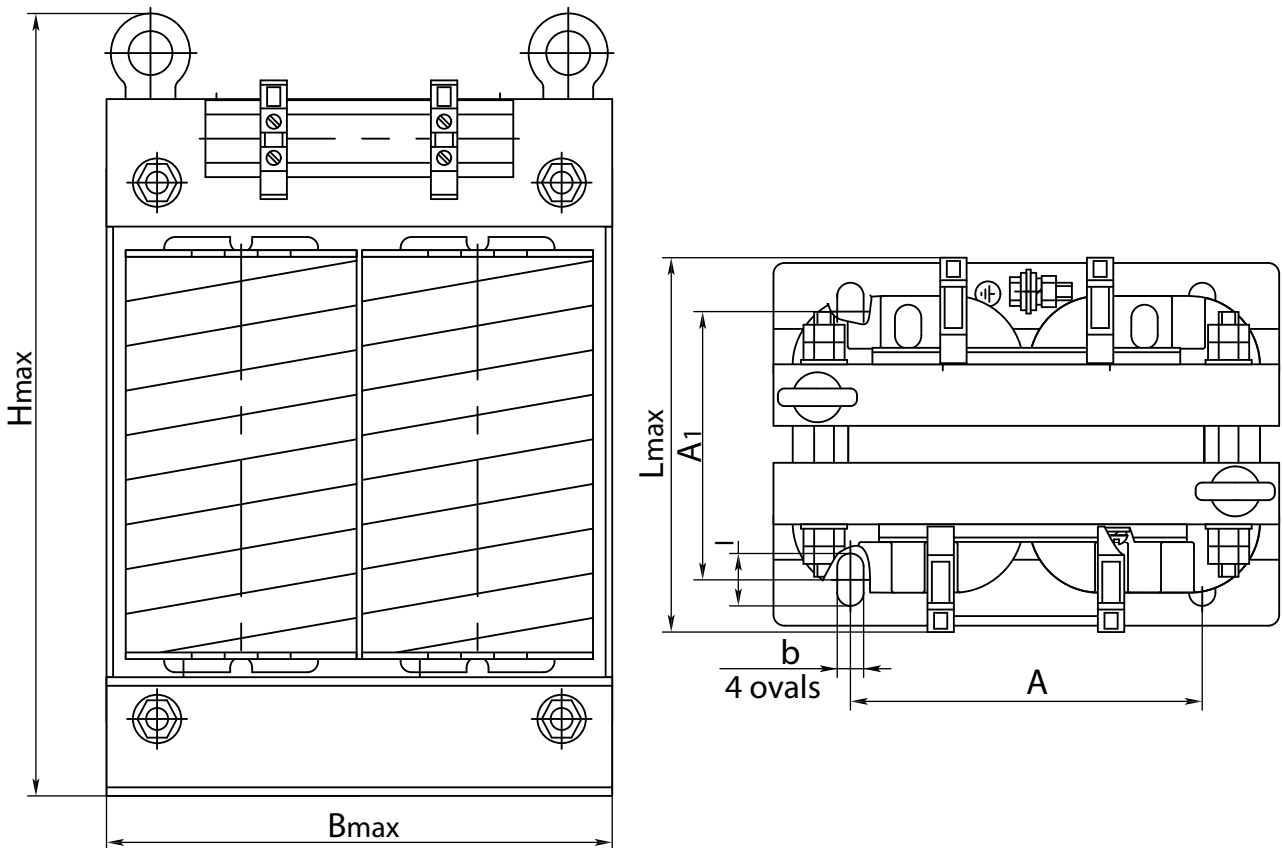


Fig. 3

dimensions in mm

Transformer type	Bmax	Lmax	Hmax	A	A ₁	b	l	Mass, kg	Fig.			
OCMO-0.063 OCMP-0.063	77	95	100	56 ± 1	54 ± 2	5 ⁺¹	10 ⁺¹	1.36	1			
OCMO-0.1 OCMP-0.1	98	90	110	64 ± 1	57 ± 2			1.96				
OCMO-0.16 OCMP-0.16		95		65 ± 2	2.46							
OCMO-0.25 OCMP-0.25	107	100	120	80 ± 1	71 ± 2	6 ⁺¹	12 ⁺¹	3.57				
OCMO-0.4 OCMY-0.4 OCMP-0.4	122	130	140	90 ± 1	85 ± 2		10 ⁺¹	5.44				
OCMO-0.63 OCMY-0.63 OCMP-0.63	152		165	104 ± 1	90 ± 2	7 ⁺¹	12 ⁺¹	8.05				
OCMO-1.0 OCMY-1.0 OCMP-1.0	175	140	180	135 ± 1	101 ± 2		14 ⁺¹	13.10				
OCMP-1.6	175	143	246	100 ± 1	97 ± 1	10 ⁺¹	15 ⁺¹	16.90		2		
		158*	260*					20.50				
OCMP-2.5	200	134	276	120 ± 1	89 ± 1			12 ^{+0.4}			24 ⁺¹	37.50
		150*	283*						53.70			
OCMP-4.0	230	183	365	160 ± 1	126 ± 2	12 ^{+0.4}	24 ⁺¹		72.70			
OCMP-6.3		221						164 ± 2				
OCMP-10	320	201	410	214 ± 1	146 ± 2							

* For versions given in the Tables for three-winding and two-winding transformers with secondary voltage of 40 V max for transformers of 1.6 kVA power, and 62 V max for transformers of 2.5 kVA power.

Sample of notation (to place an order, or to refer to) for OCMP transformer of 0.25 kVA power rating, of 380 V primary winding voltage, of 110 V secondary winding voltage with 5 V and 22 V tapplings, of 12 V third winding voltage, of CT climatic version:

Transformer OCMP-0,25 Y3 380/5-22-110/12 TY PБ 100211261.062-2009
(where TY PБ = Technical Specifications of the Republic of Belarus).



СЕРТИФИКАТ СООТВЕТСТВИЯ CERTIFICATE OF CONFORMITY

№./No. 131299002

для производителя
to the manufacturer

УП «МЭТЗ ИМ.В.И. КОЗЛОВА»
220037, Республика Беларусь,
г. Минск,
ул. Уральская, 4

UP "METZ IM.V.I. KOZLOVA"
4 Uralskaya st.,
220037 Minsk,
Republic of Belarus

Наименование изделия и обозначение типа
Трансформаторы
ОСМР-(0,063÷10)
(спецификация на второй странице)

Product and designation of type
Transformers
OCMP-(0,063÷10)
(specification – on the second page)

Продукт соответствует основным требованиям безопасности следующих директив ЕС Нового Подхода:

The product meets the essential safety requirements of the following European New Approach Directives:

2006/95/ЕС Директива низковольтная
2004/108/ЕС Электромагнитная совместимость

2006/95/ЕС Low Voltage Directive
2004/108/ЕС Electromagnetic compatibility

Для оценки соответствия был применен следующий документ:

For conformity assessment the following document was used:

Сводный протокол №. 110300053/1 от 15. 02. 2013

Final report No. 110300053/1 of 15. 02. 2013

CE маркировку можно применять только в случае проведения оценки соответствия требованиям всех надлежащих Директив ЕС, предоставления технической документации и декларации о соответствии.

CE marking can be used only in the case of conformity assessment according to all relevant EC Directives, after working-out of the necessary technical documentation and after issuing of the conformity declaration.

Дата оформления: 18. 02. 2013

Date of issue: 18. 02. 2013



Ing. Janka LEVICKÁ
Руководитель отдела сертификации продуктов
Head of Product Certification Body

Правила для применения сертификата соответствия
The rules for use of this conformity certificate

Запрещено изменять, дополнять или переписывать данные в сертификате соответствия. Действие сертификата не распространяется на продукцию, в которую без согласия TSÚ Piešťany, š.p. были внесены изменения, важные с точки зрения соответствия указанным нормативным документам. Все существенные изменения в технологии изготовления или конструкции продукции, системы качества и дополнения к вышеуказанным техническим и правовым документам могут привести к прекращению действия сертификата соответствия. Ответственность за соответствие продукции несет изготовитель или его уполномоченный представитель в ЕС.

It is forbidden to modify, amend or rewrite the data in the conformity certificate. This certificate cannot be used as a conformity certificate for products, where a change influencing conformity with the applied normative documents and regulations was done without approval of the TSÚ Piešťany, š.p. Any significant change in product's form or construction, system of quality and supplements to above mentioned technical and legal provisions can result in invalidity of the certificate. Producer or his authorized representative is responsible for the product.

Спецификация:
Specification:

- OCMP-0,063
- OCMP-0,1
- OCMP-0,16
- OCMP-0,25
- OCMP-0,4
- OCMP-0,63
- OCMP-1,0
- OCMP-1,6
- OCMP-2,5
- OCMP-4,0
- OCMP-6,3
- OCMP-10

